



435, 435e, 440e

Spare parts

Ersatzteile

Pièces détachées

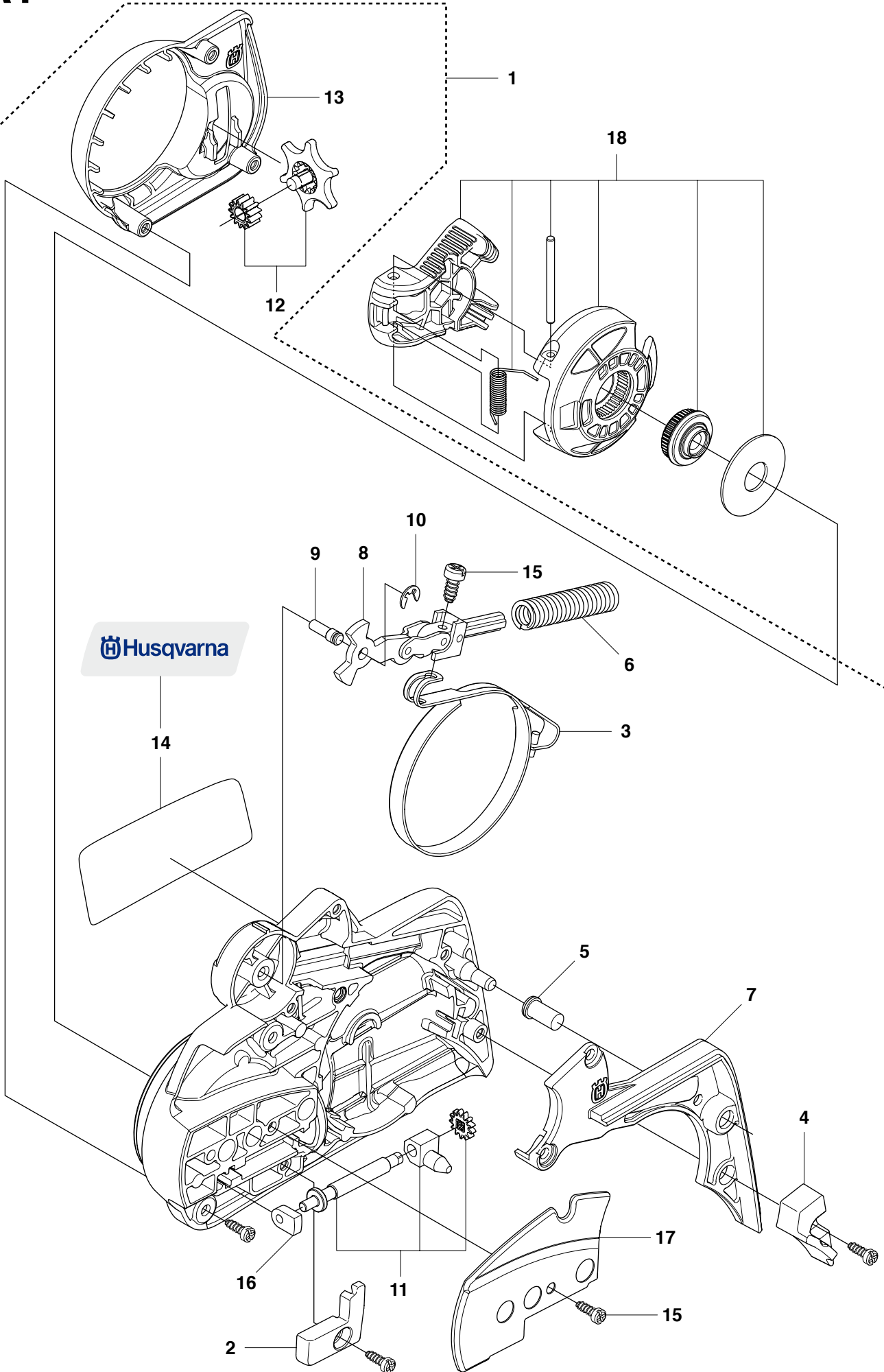
Reserve onderdelen

Repuestos

Reservdelar

A1

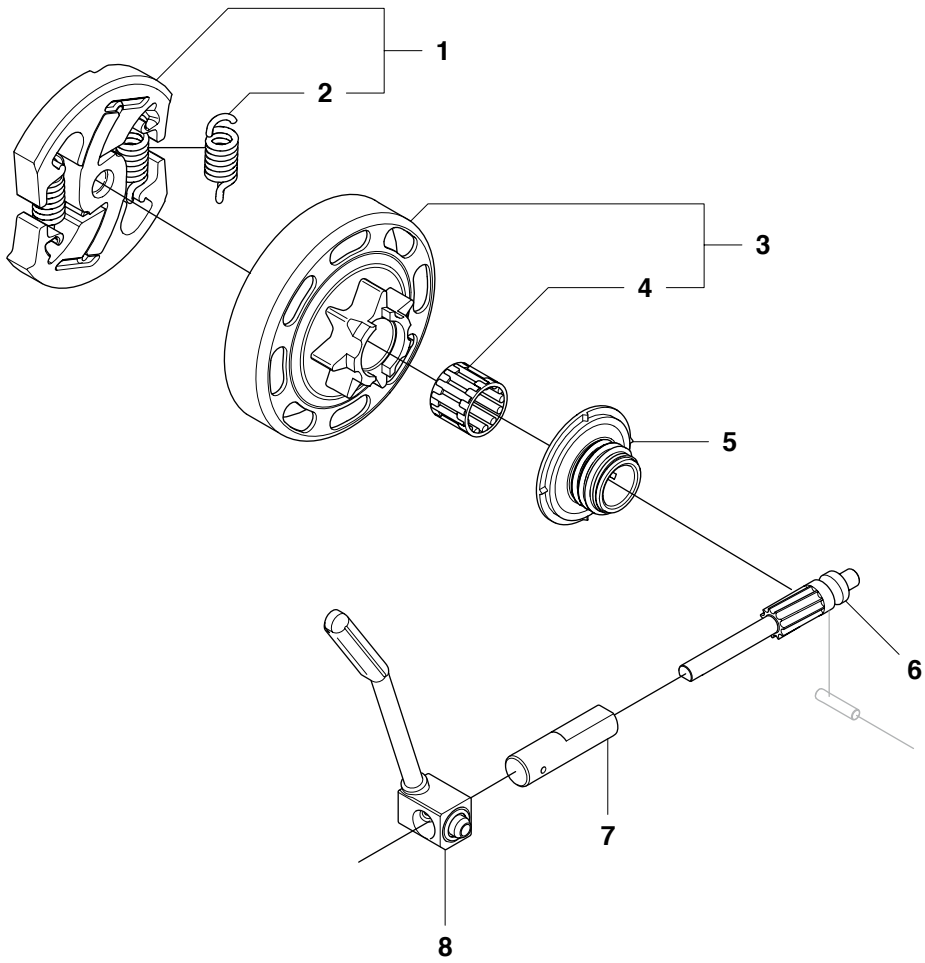
435e, 440e CHAIN BREAK & CLUTCH COVER



CHAIN BREAK & CLUTCH COVER

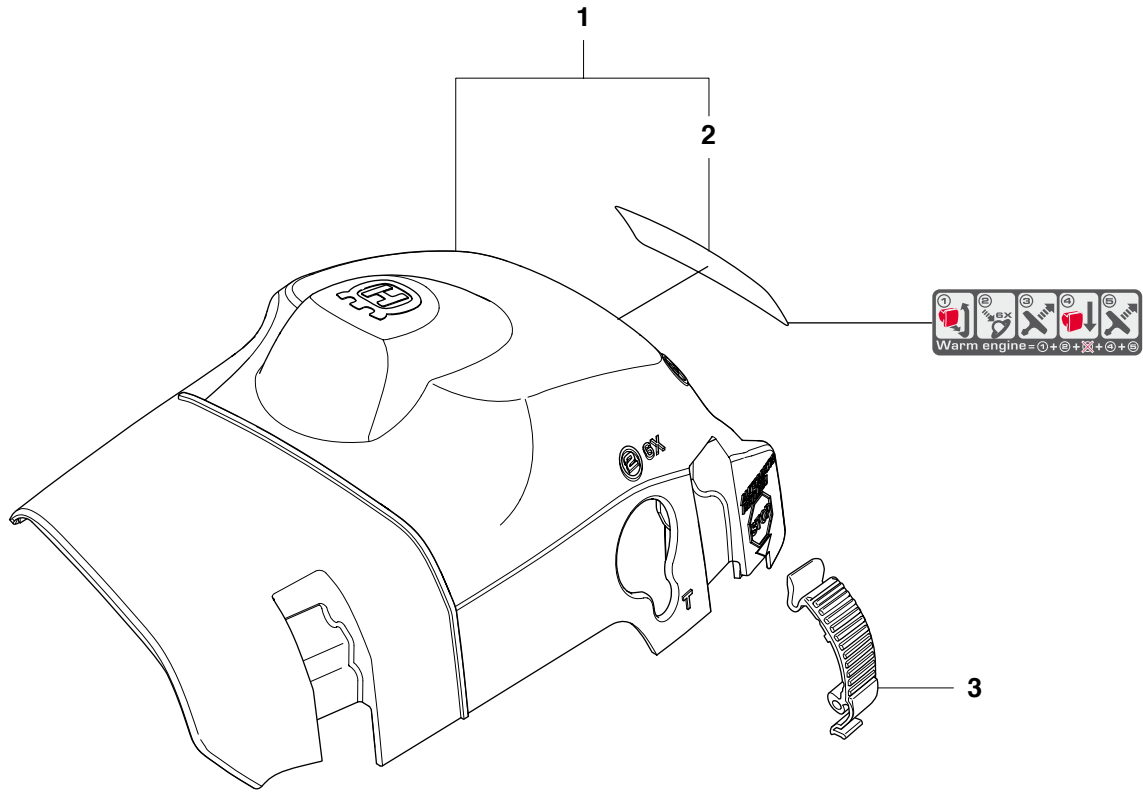
Position	Article	Quantity	Notes	Kit
1	544 19 49-05	1	Clutch cover assy	
2	504 54 28-01	1	Cover	1
3	544 30 60-01	1	Brake band assy	1
4	544 25 31-01	1	Wear protection	1
5	503 85 52-01	1	Guide bushing	1
6	505 89 26-01	1	Brake spring	1
7	544 24 85-01	1	Cover lid	1
8	503 89 08-02	1	Knee joint	1
9	503 89 29-01	1	Pin knee joint	1
10	735 31 08-20	1	E-clip	1
11	537 39 29-01	1	Chain tensioner screw	1
12	537 34 72-01	1	Chain tensioner wheel	1
13	537 39 26-01	1	Heat protector	1
14	544 35 75-01	1	Label	1
15	503 21 70-10	10	Screw	1
16	525 35 43-01	1	Bearing sleeve	1
17	505 32 10-01	1	Wear plate	1
18	537 34 78-01	1	Knob	

B 435, 435e, 440e
CLUTCH & OIL PUMP



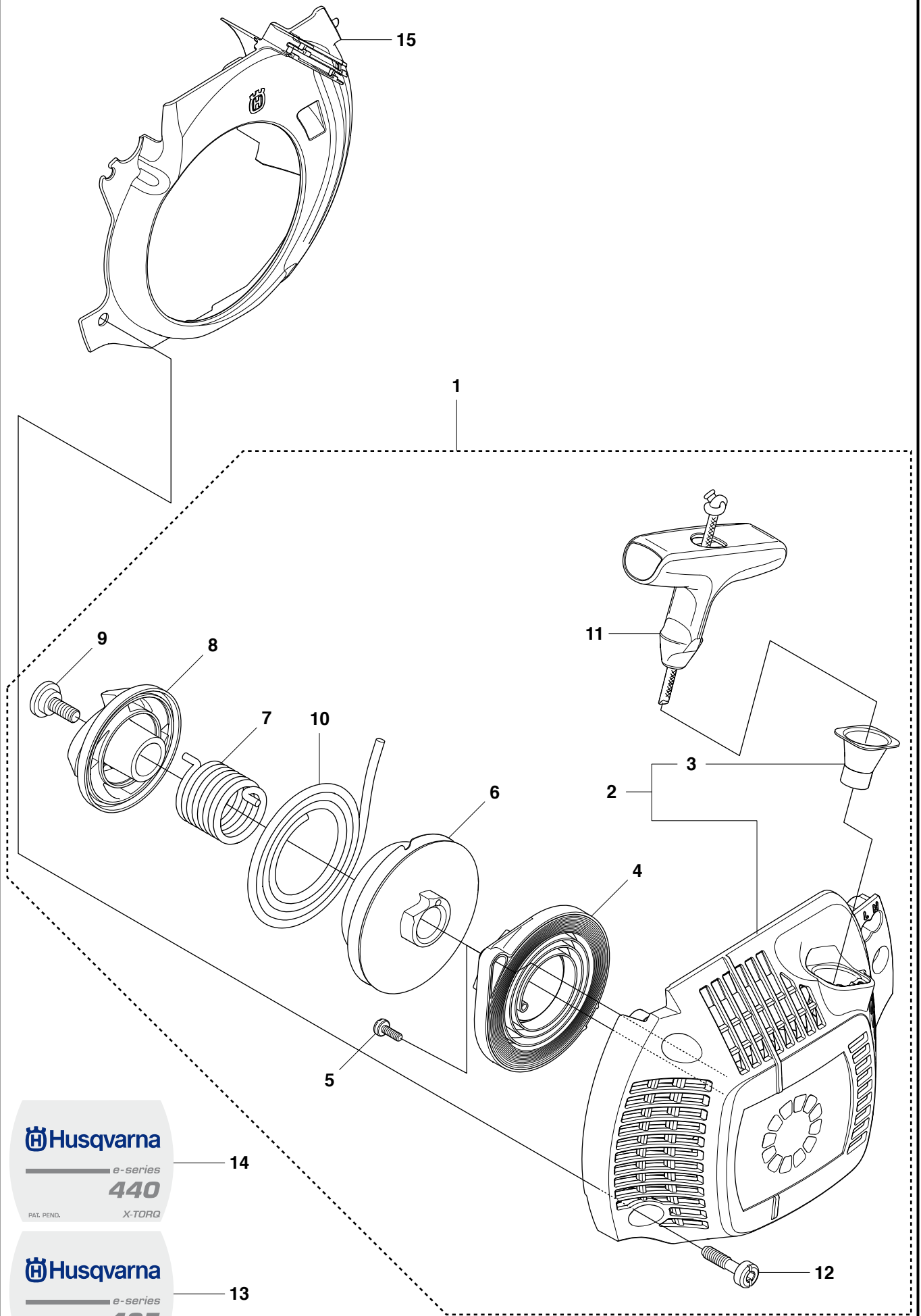
Position	Article	Quantity	Notes	Kit
1	544 87 12-01	1	Clutch assy	
2	502 08 03-01	2	Clutch spring	1
3	505 44 15-01	1	Clutch drum assy	
4	503 53 92-01	1	Support bushing	3
5	544 21 24-01	1	Worm gear	
6	540 05 79-01	1	Pump piston	
7	537 15 48-01	1	Pump cylinder	
8	544 08 42-01	1	Oil hose	

C 435, 435e, 440e
CYLINDER COVER



Position	Article	Quantity	Notes	Kit
1	504 79 02-01	1	Cylinder cover kpl	
2	522 73 60-01	1	Start reminder, label	1
3	503 89 47-01	3	Snap	

D2 435e, 440e
STARTER



Husqvarna
e-series
440
PAT. PEND. X-TORQ

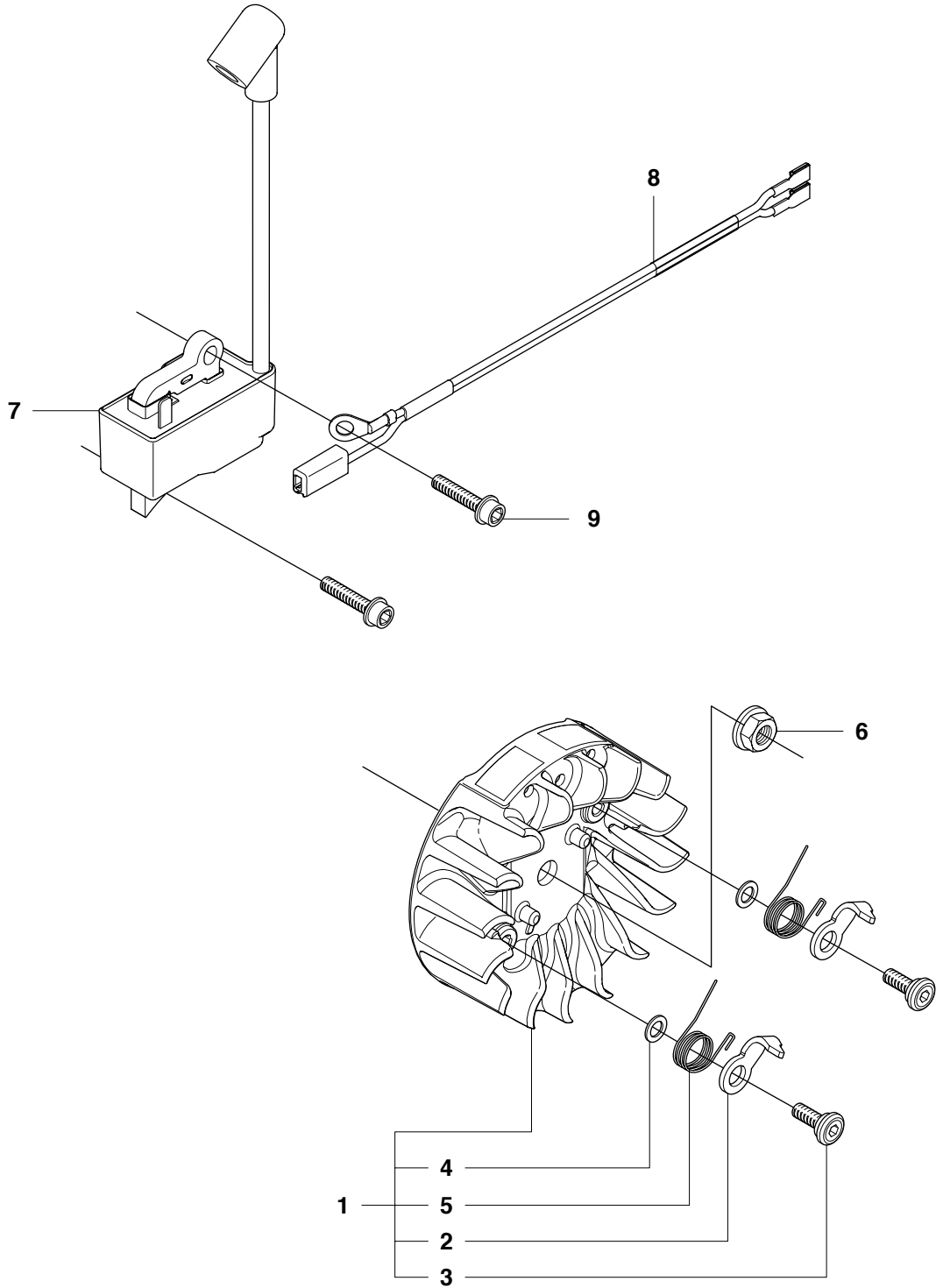
14

Husqvarna
e-series
435
PAT. PEND. X-TORQ

13

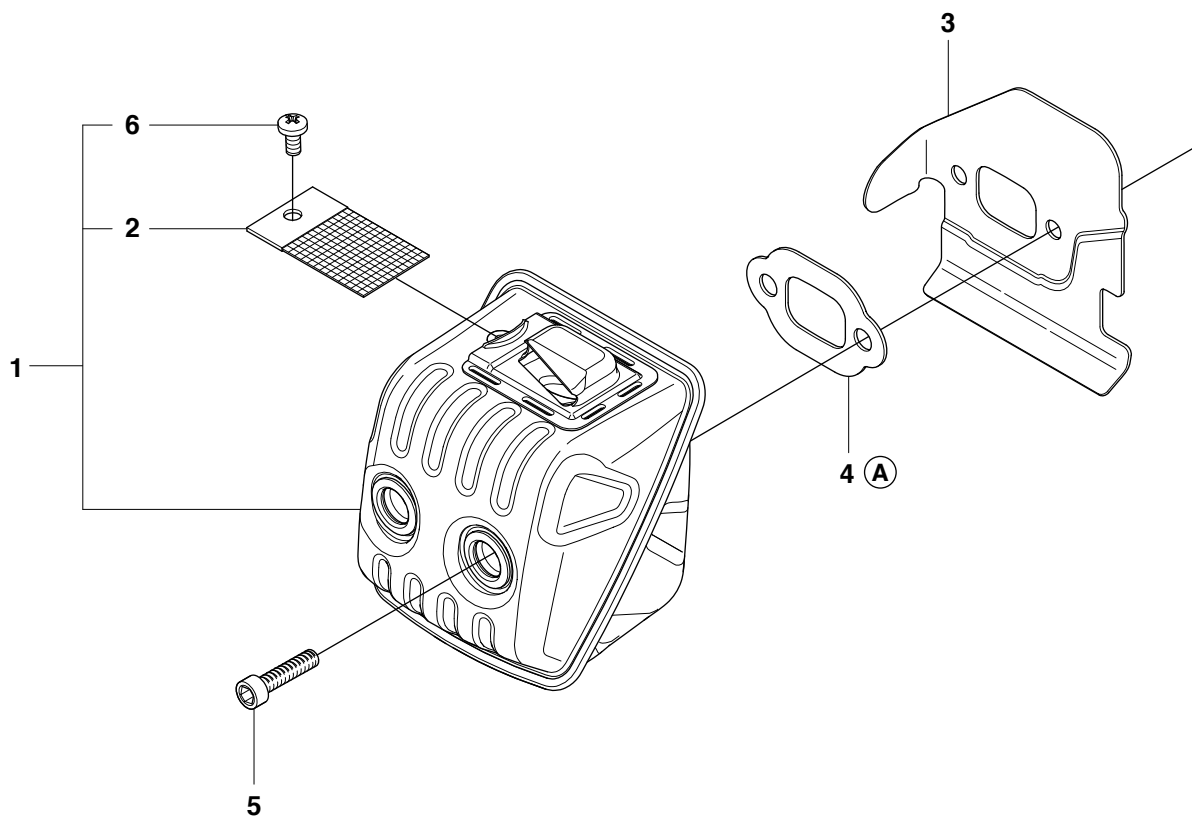
Position	Article	Quantity	Notes	Kit
1	544 28 70-02			
2	544 28 69-01	1	Starter housing	1
3	537 28 32-01	1	Reinforcement sleeve	1
4	540 05 75-02	1	Spring cassette assy	1
5	503 21 28-10	2	Screw CCRPANT	1
6	537 42 32-01	1	Starter pulley	1
7	505 64 73-01	1	Spring	1
8	537 42 33-01	1	Driver	1
9	537 42 66-01	1	Screw	1
10	505 30 51-25	1	Starter cord	1
11	537 23 25-01	1	Starhandtag	1
12	503 21 73-21	4	Screw CIHSCTO	1
13	544 46 36-02	1	Label, Starter	
14	544 46 36-01	1	Label, Starter	
15	544 19 71-01	1	Cooling air conductor	

E 435, 435e, 440e
IGNITION SYSTEM



Position	Article	Quantity	Notes	Kit
1	544 87 42-02	1	Flywheel assy	
2	537 24 56-01	2	Starter pawl	1
3	501 81 99-03	2	Screw	1
4	503 23 00-42	2	Washer steel	1
5	529 27 11-01	2	Spring	1
6	503 22 04-01	1	Nut	
7	573 93 57-01	1	Ignition module	
8	510 10 14-01	1	Wiring assy	
9	503 20 02-20	2	Screw IHSCFM	

F 435, 435e, 440e
MUFFLER

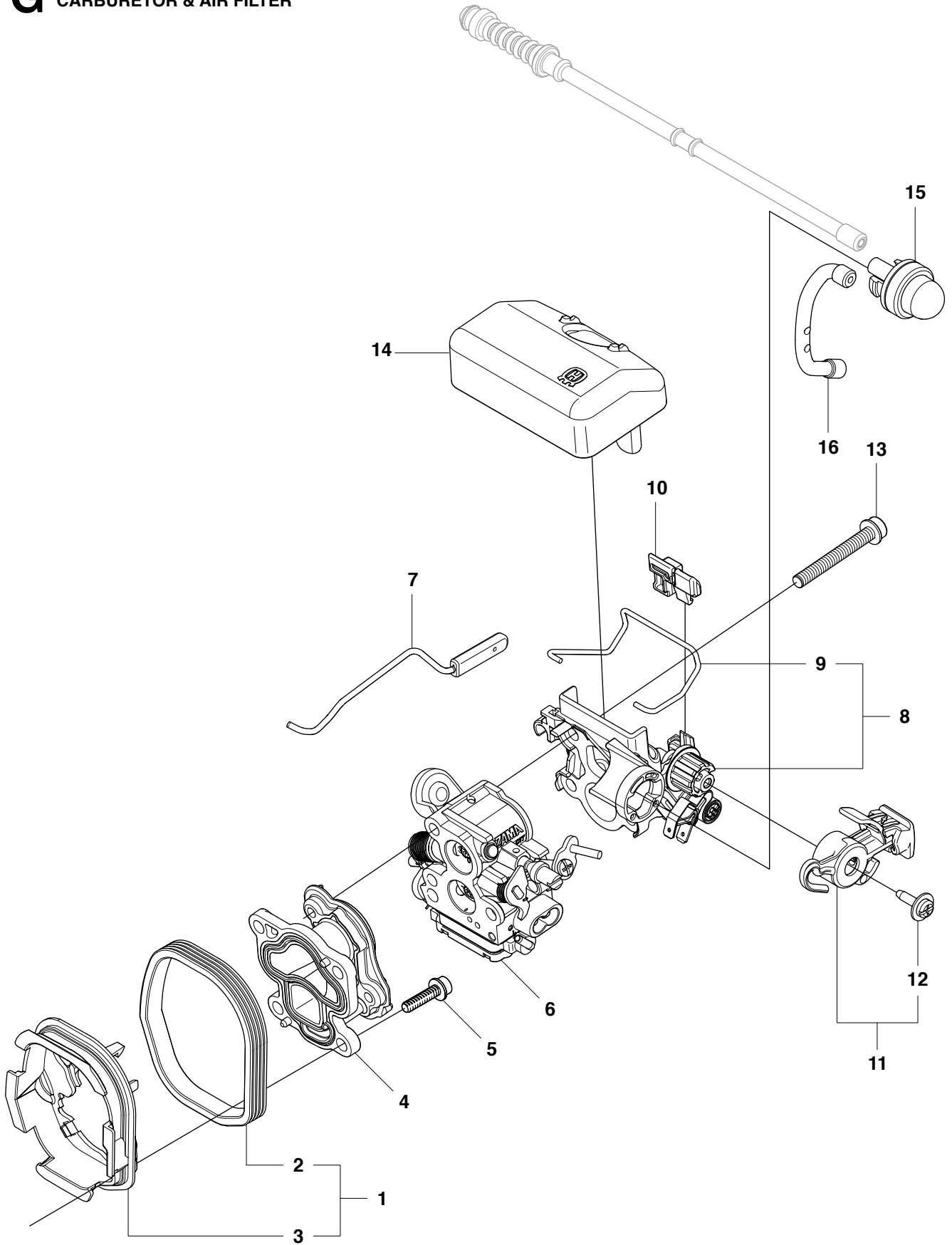


7
Ⓐ 504 79 40-01
Set of gaskets

Position	Article	Quantity	Notes	Kit
1	544 14 77-02	1	Muffler assy	
2	503 86 36-01	1	Spark arrester	1
3	501 32 31-01	1	Heat deflector	
4	544 08 44-01	1	Gasket	7
5	725 53 68-55	2	Screw	
6	724 12 87-59	1	Screw	1
7	504 79 40-01	1	Set of gaskets	

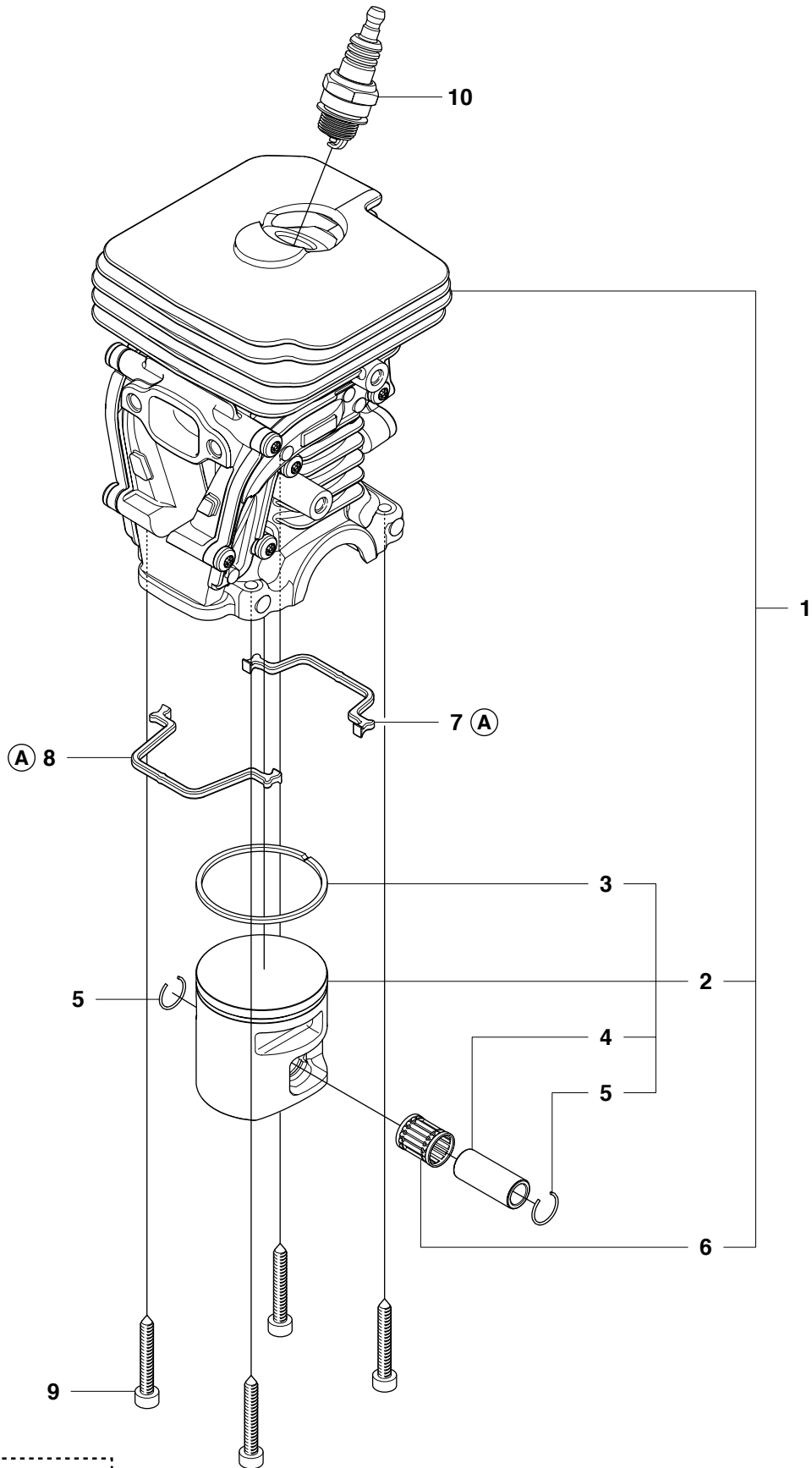


435, 435e, 440e
CARBURETOR & AIR FILTER



Position	Article	Quantity	Notes	Kit
1	504 72 47-01	1	Insulation wall assy	
2	504 72 45-01	1	Insulation wall rubber	1
3	504 72 44-01	1	Insulation wall plastic	1
4	504 20 12-01	1	Inlet pipe	
5	503 20 02-16	4	Screw	
6	506 45 05-01	1	Carburettor	
7	544 28 44-01	1	Throttle rod assy	
8	544 97 64-01	1	Filter holder assy	
9	544 39 26-01	1	Shackle	8
10	504 71 25-01	1	Guide sliding shoe	
11	544 84 43-02	1	Control assy	
12	544 97 66-01	1	Screw	11
13	503 20 02-40	3	Screw	
14	544 80 54-02	1	Air filter assy (44 micron)	
14	544 80 54-03	1	Air filter assy (felt)	
15	503 93 66-01	1	Air purge	
16	544 40 19-01	1	Hose, airpurge suction	

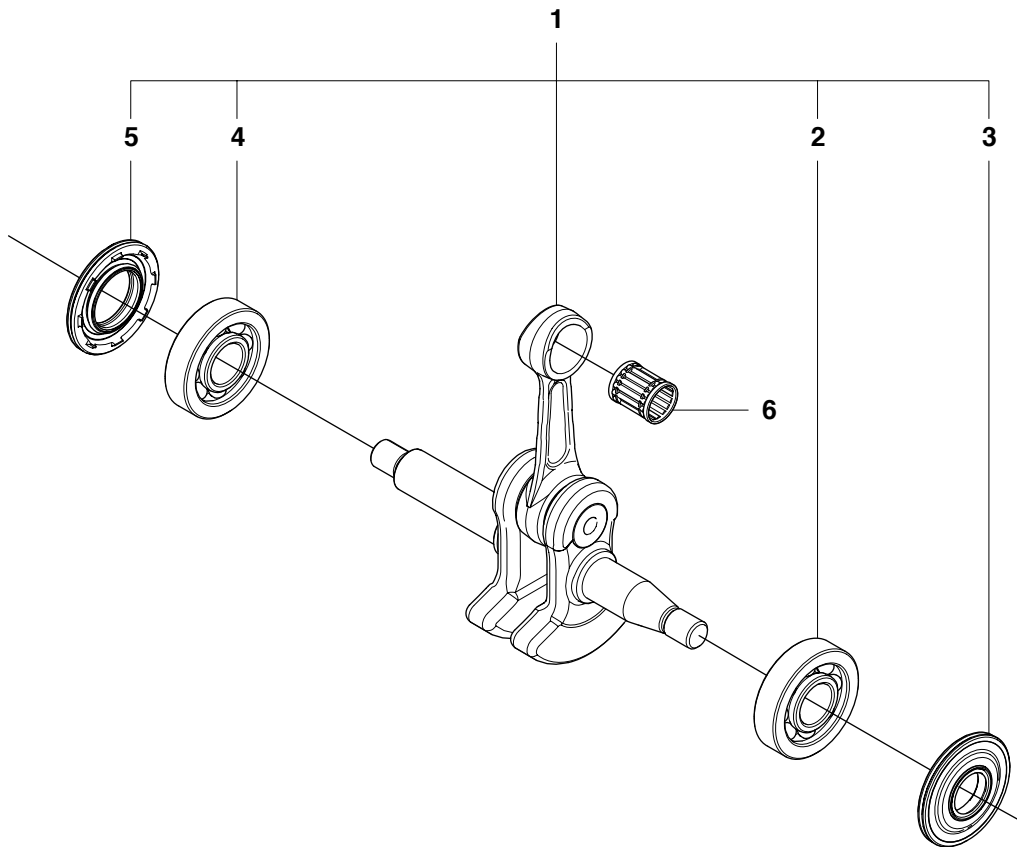
H1 435, 435e
CYLINDER PISTON



(A) 504 79 40-01
Set of gaskets

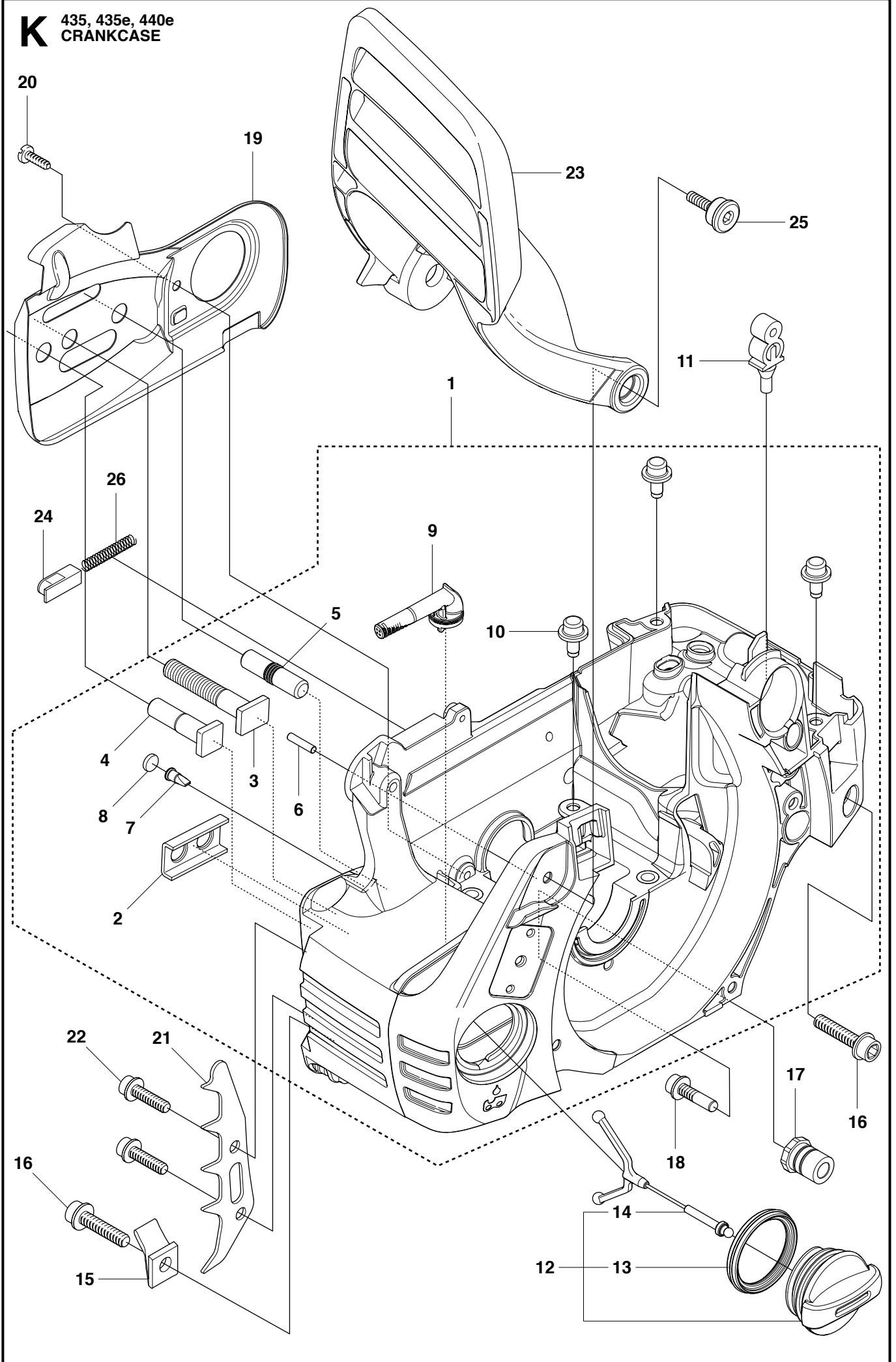
Position	Article	Quantity	Notes	Kit
1	504 73 51-02	1	Cylinder assy	
2	502 62 50-02	1	Piston assy	1
3	544 40 59-01	1	Piston ring	2
4	544 40 60-01	1	Piston pin	2
5	537 39 99-01	2	Circlip	2
6	503 41 41-01	1	Needle bearing	1
7	544 39 60-01	1	Gasket, cylinder rear	11
8	544 39 59-01	1	Gasket, cylinder front	11
9	725 53 33-55	4	Screw	
10	503 23 51-11	1	Spark plug	
11	504 79 40-01	1	Set of gaskets	

J 435, 435e, 440e
CRANKSHAFT



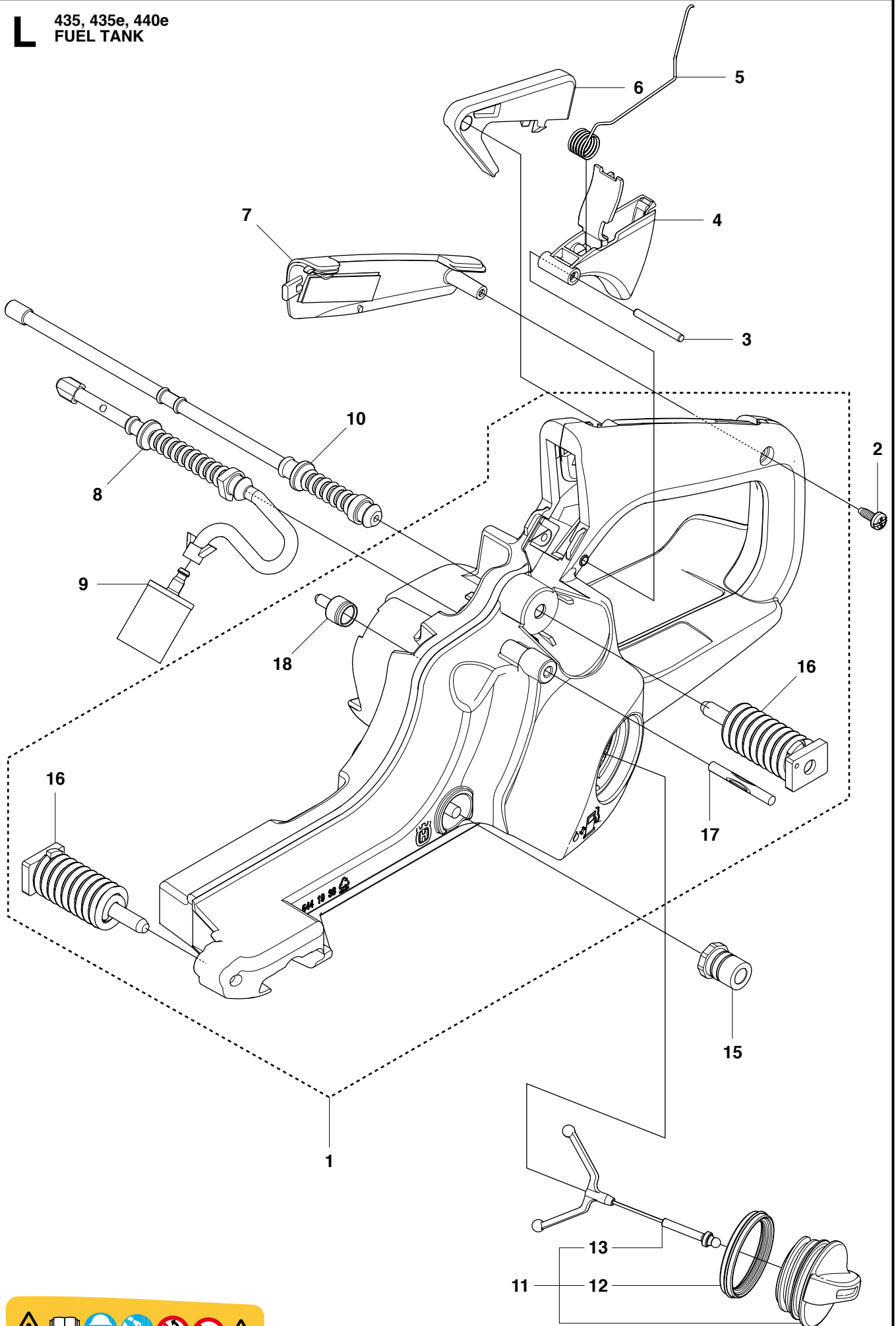
Position	Article	Quantity	Notes	Kit
1	544 34 38-01	1	Crankshaft	
2	544 24 87-02	1	Ball bearing 6001 OD32	1
3	544 25 12-01	1	Sealing 12x32x3,7	1
4	544 24 88-02	1	Ball bearing 6001 OD32w	1
5	544 25 13-01	1	Sealing 16,6x32,3,7	1
6	503 41 41-01	1	Needle bearing	

K 435, 435e, 440e
CRANKCASE



Position	Article	Quantity	Notes	Kit
1	544 93 25-01	1	Crankcase assy	
2	503 87 58-02	1	Stiffening plate	1
3	503 87 54-02	1	Bar bolt	1
4	537 33 46-01	1	Bar bolt	1
5	544 03 64-01	1	Bar bolt	1
6	503 24 09-05	1	Needle roller	1
7	530 02 61-19	1	Check valve	1
8	537 40 35-01	1	Filter	1
9	544 08 33-01	1	Oil screen	1
10	544 33 16-01	3	Guide pin	1
11	503 86 93-01	1	Support	
12	544 11 12-01	1	Tank cap assy	
13	537 21 50-01	1	Sealing	12
14	503 57 89-01	1	Holder	12
15	503 88 63-01	1	Chain catcher pin	
16	503 21 88-76	2	Screw	
17	501 00 76-01	1	Lateral support	
18	503 21 51-03	1	Screw	
19	544 28 46-01	1	Chain guide plate	
20	503 21 70-10	1	Screw	
21	544 28 65-01	1	Spike inner	
22	503 21 75-20	2	Screw	
23	544 25 15-01	1	Hand guard	
24	503 89 24-01	1	Catch	
25	503 89 30-01	2	Screw	
26	503 43 65-01	1	Lock spring	

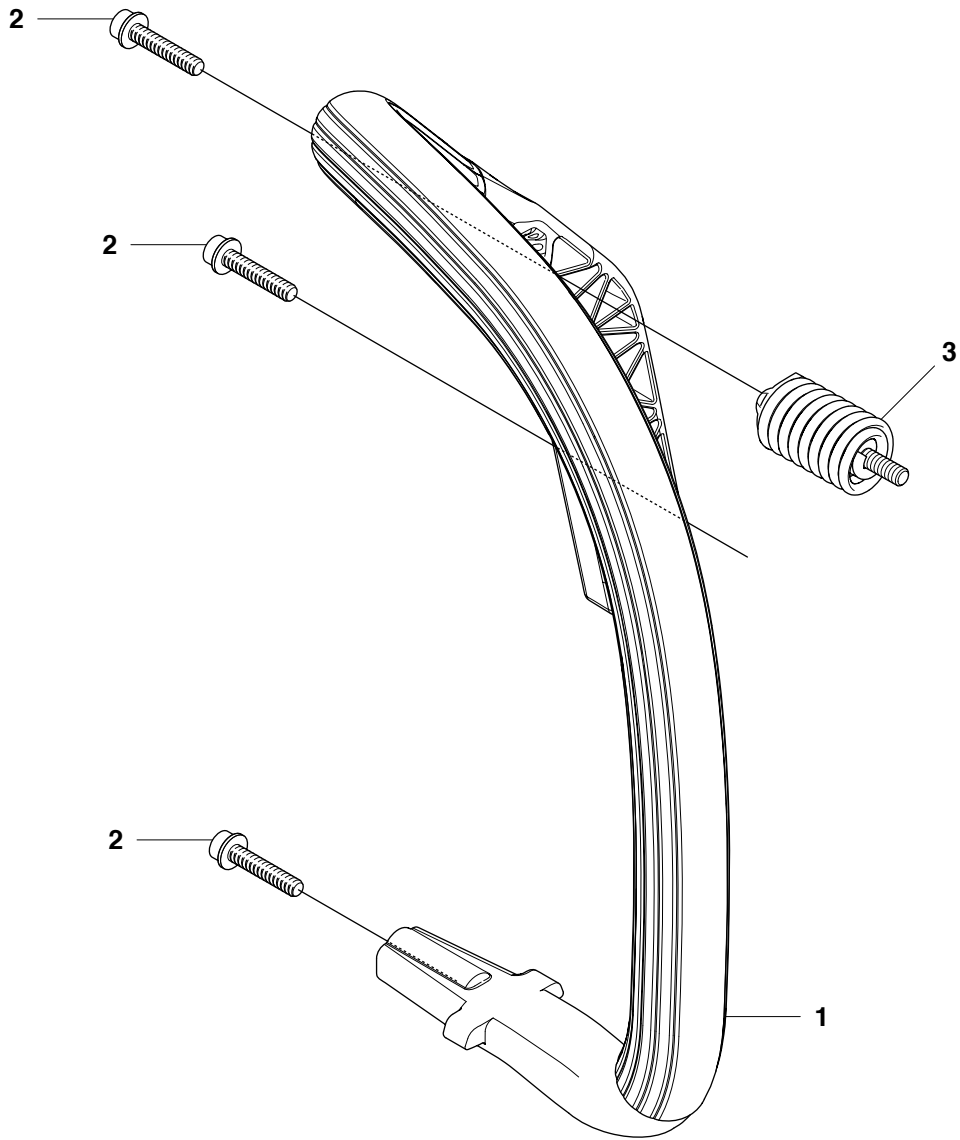
L 435, 435e, 440e
FUEL TANK



14

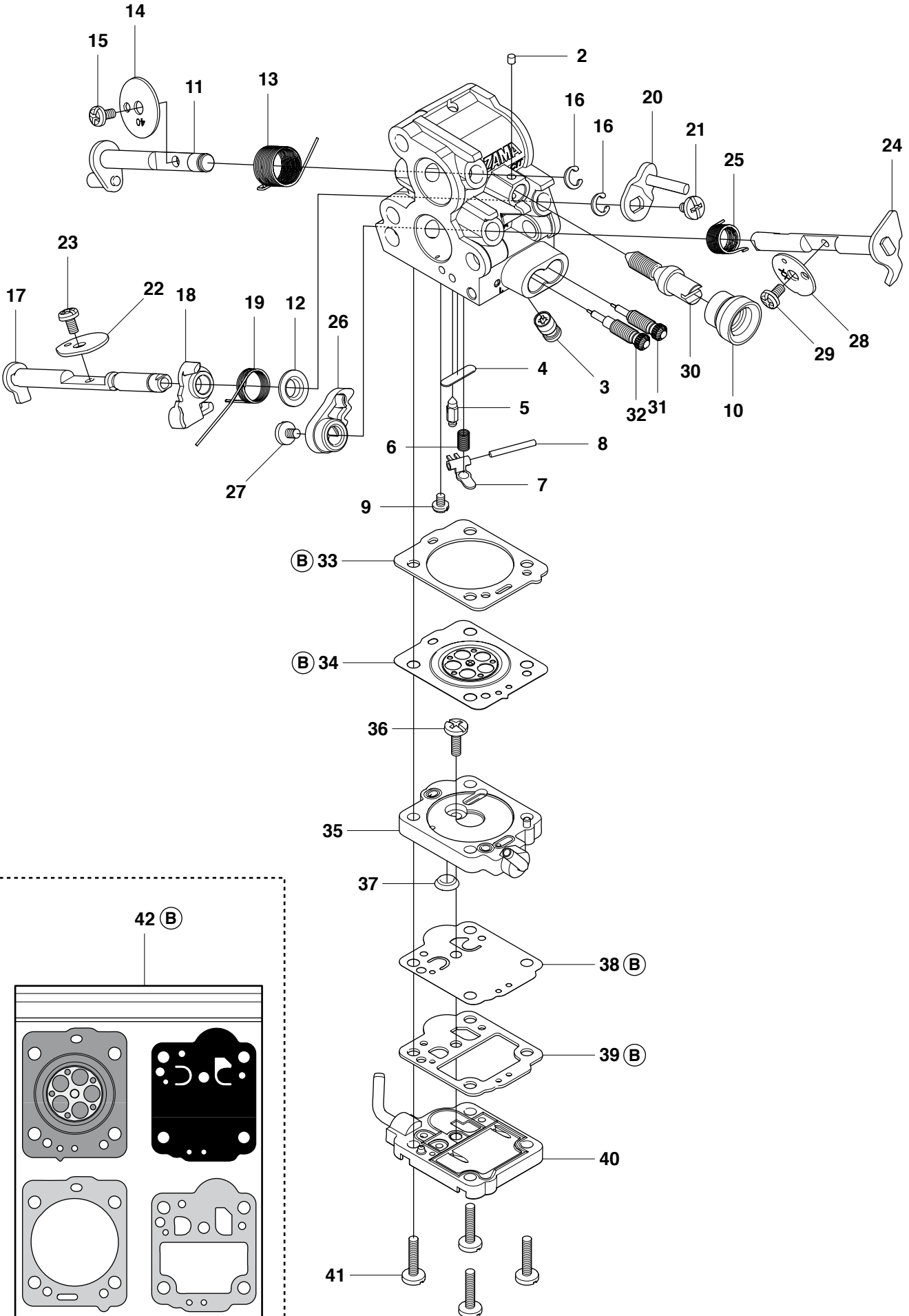
Position	Article	Quantity	Notes	Kit
1	544 19 38-05	1	Fuel tank assy	
2	503 21 28-10	1	Screw	
3	720 18 25-20	1	Pin	
4	544 96 85-01	1	Throttle control	
5	544 09 99-01	1	Spring	
6	544 28 41-01	1	Throttle lockout	
7	544 28 49-01	1	Handle insert	
8	544 12 86-01	1	Fuel hose	
9	503 44 32-01	1	Filter mix	
10	544 12 97-01	1	Return hose	
11	544 11 12-01	1	Tank cap assy	
12	537 21 50-01	1	Sealing	11
13	503 57 89-01	1	Holder	11
14	544 37 50-01	1	Decal warning	
15	501 00 76-01	1	Lateral support	
16	504 79 56-01	2	Antivibration element	1
17	721 12 63-39	1	Grooved pin	1
18	537 35 95-01	1	Fuel tank vent	1

M 435, 435e, 440e
HANDLE



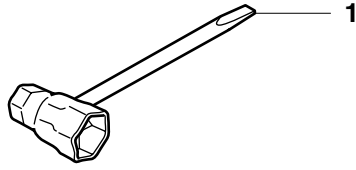
Page M		435, 435e, 440e		HANDLE	
Position	Article	Quantity	Notes	Kit	
1	544 28 40-01	1	Front handle		
2	503 21 88-76	3	Screw		
3	503 89 83-01	1	Antivibration element		

1



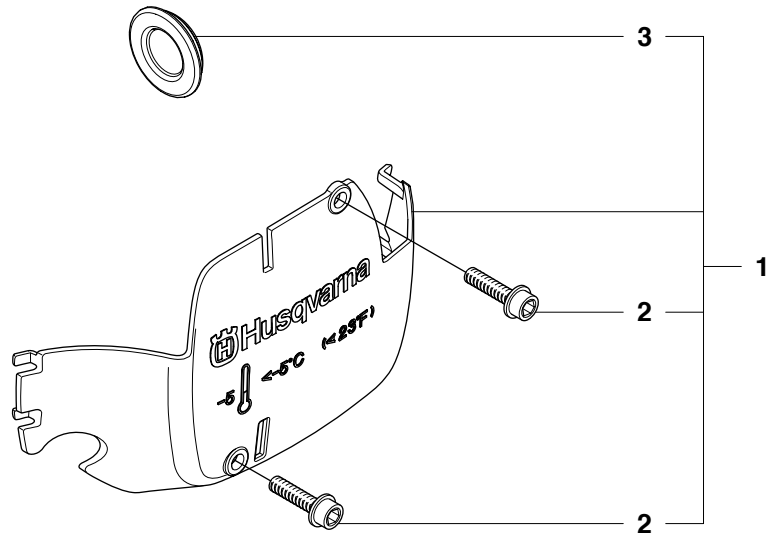
Page N		435, 435e, 440e			CARBURETOR	
Position	Article	Quantity	Notes	Kit		
1	506 45 05-01	1	Zama C1T-EL41			
2	503 48 11-01	1	Piece	1		
3	504 02 40-01	1	Nozzle assy	1		
4	503 53 56-01	1	Plug welch	1		
5	503 47 97-01	1	Valve	1		
6	537 02 03-01	1	Spring	1		
7	503 66 59-01	1	Lever	1		
8	503 48 00-01	1	Pin retaning screw	1		
9	504 02 41-01	1	Screw	1		
10	505 53 52-01	1	Cap	1		
11	504 02 61-01	1	Shaft assy	1		
12	505 11 07-01	1	Collar	1		
13	504 02 85-01	1	Spring	1		
14	504 02 75-01	1	Valve	1		
15	503 48 18-01	2	Screw	1		
16	504 02 67-01	2	Circlip	1		
17	504 02 62-01	1	Shaft assy	1		
18	540 05 37-01	1	Lever	1		
19	504 02 83-01	1	Spring	1		
20	504 02 63-01	1	Lever	1		
21	503 47 90-01	2	Screw	1		
22	504 02 74-01	1	Valve	1		
23	503 48 18-01	2	Screw	1		
24	504 02 60-01	1	Shaft assy	1		
25	504 02 84-01	1	Spring	1		
26	544 98 31-01	1	Lever	1		
27	503 47 90-01	2	Screw	1		
28	504 02 76-01	1	Valve	1		
29	503 47 92-01	1	Screw	1		
30	504 02 73-01	1	Screw	1		
31	504 90 92-01	1	Screw	1		
32	504 02 81-01	1	Screw	1		
33	504 02 43-01	1	Gasket	1, 42		
34	504 02 45-01	1	Diaphragm	1, 42		
35	504 02 46-01	1	Body	1		
36	504 02 82-01	1	Screw	1		
37	504 02 50-01	1	Strainer	1		
38	504 02 56-01	1	Diaphragm	1, 42		
39	504 02 57-01	1	Gasket	1, 42		
40	504 02 59-01	1	Cover	1		
41	504 02 78-01	4	Screw	1		
42	504 02 86-01	1	Set of gaskets			

P 435, 435e, 440e
ACCESSORIES

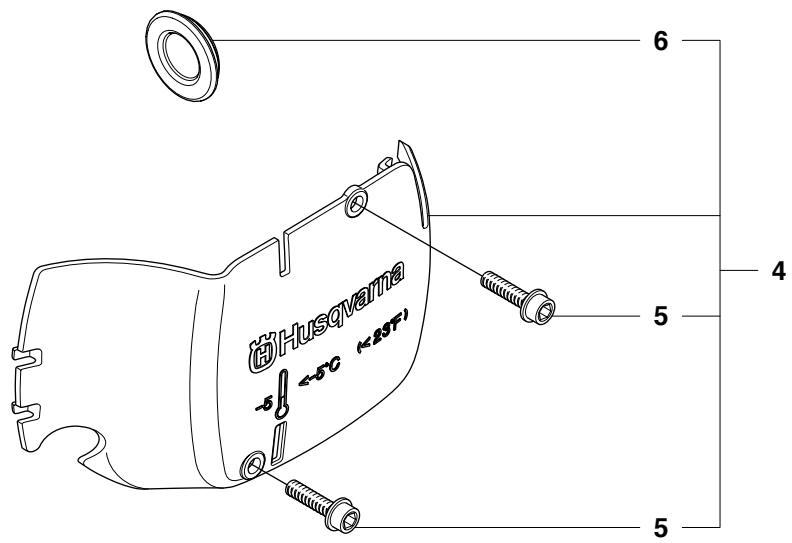


Page P		435, 435e, 440e		ACCESSORIES	
Position	Article	Quantity	Notes	Kit	
1	503 55 85-04	1	Tool		

Q 435
WINTER KIT



Q 435e, 440e
WINTER KIT



Position	Article	Quantity	Notes	Kit
1	505 45 04-01	1	Winter kit	
2	503 21 70-16	2	Screw	1
3	503 40 59-01	1	Winter plug	1
4	505 45 04-02	1	Winter kit, elasto	
5	503 21 70-16	2	Screw	2
6	503 40 59-01	1	Winter plug	2